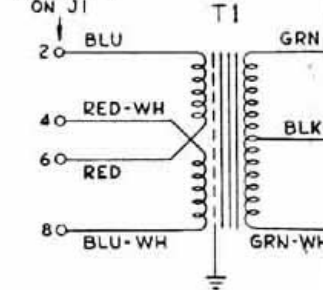


150 Ω
600 Ω

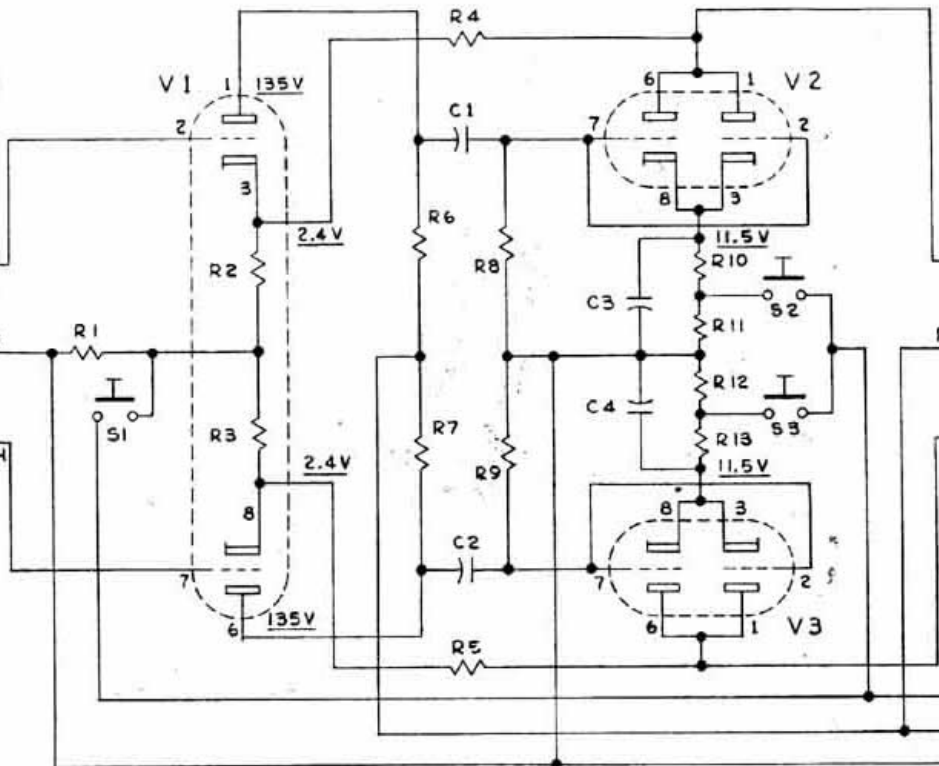
INPUT

CONNECT TO... STRAP
2 & 8 2 TO 4, 6 TO 8
2 & 8 4 TO 6

TERMINALS ON J1



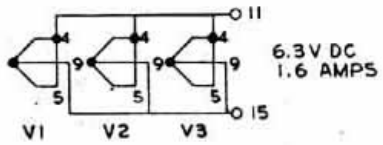
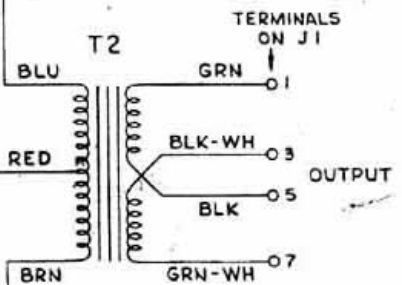
- T1 4745 TRANSFORMER
- T2 16543 " "
- V1 6072 VACUUM TUBE
- V2-V3 12 BH 7 " "
- R1 33 Ω 1/4 W 1% DC
- R2-R3 1000 Ω 1 W 1%
- R4-R5 180,000 Ω 1/2 W 1% DC
- R6-R7 470,000 Ω 1/2 W 1% AB
- R8-R9 600 Ω 1 W 1%
- R10-R13 7.5 Ω 1 W 3%
- C1-C2 .022 MFD 400 V
- C3-C4 25 MFD 15 V
- S1-S2-S3 GRAYHILL 30-1
- J1 AMPHENOL 126-151



150 Ω
600 Ω

OUTPUT

CONNECT TO... STRAP
1 & 3 1 TO 3, 5 TO 7
1 & 7 3 TO 5



6.3V DC
1.6 AMPS

- 9 + METER
- 12 + 275V DC
- 10 - 40 MA
- 13

ALTEC LANSING
459A AMPLIFIER